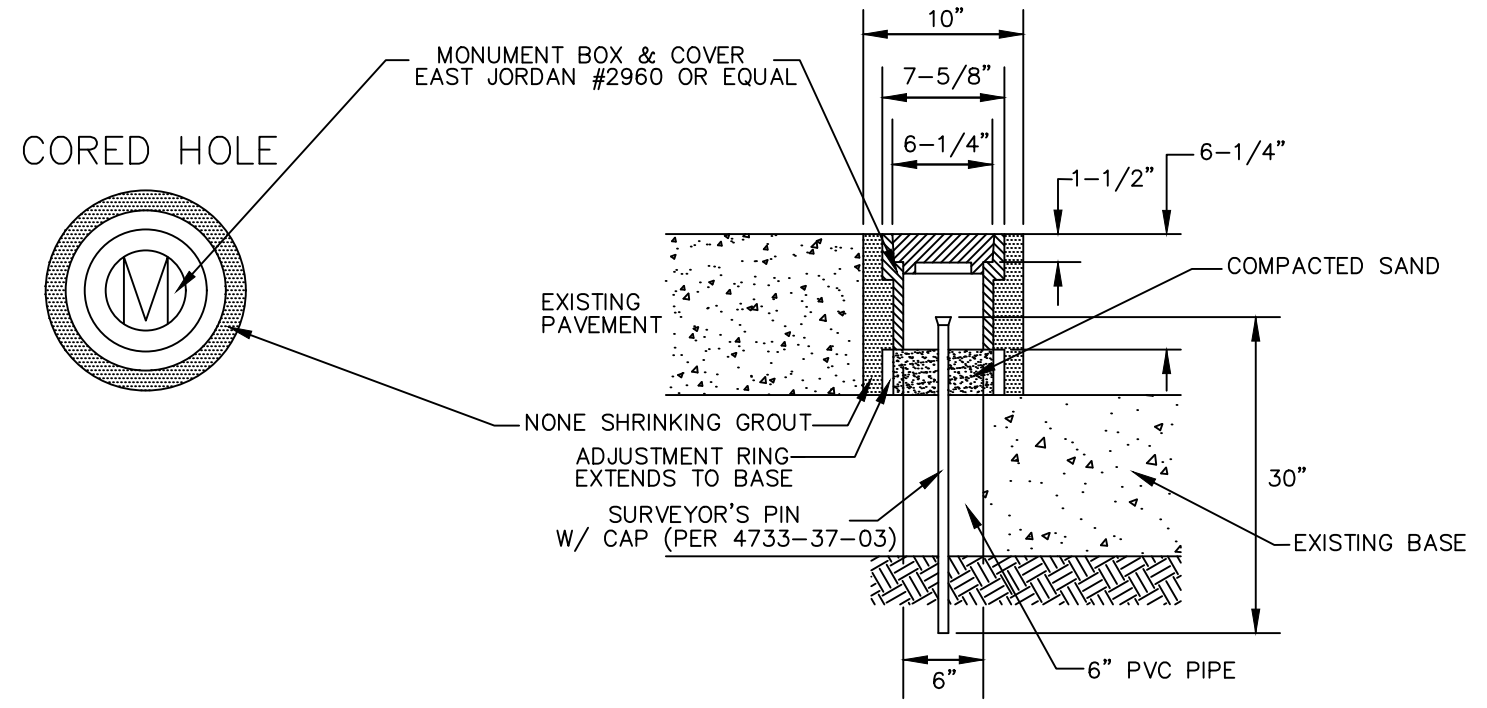
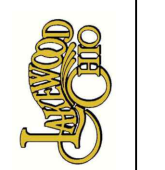



CONCRETE GEODETIC SURVEY MONUMENT
SCALE: NONE



ROADWAY MONUMENT BOX
SCALE: NONE

CITY OF LAKEWOOD, OHIO		04-13-2015 DATE	
		 MARK PAPKE, PE, CPESC CITY ENGINEER	
		REVISIONS: 01-31-2014	
STANDARD DRAWING:		SCALE:	N.T.S.
NUMBER:	P-6	SURVEY MONUMENT DETAILS	
1	1		