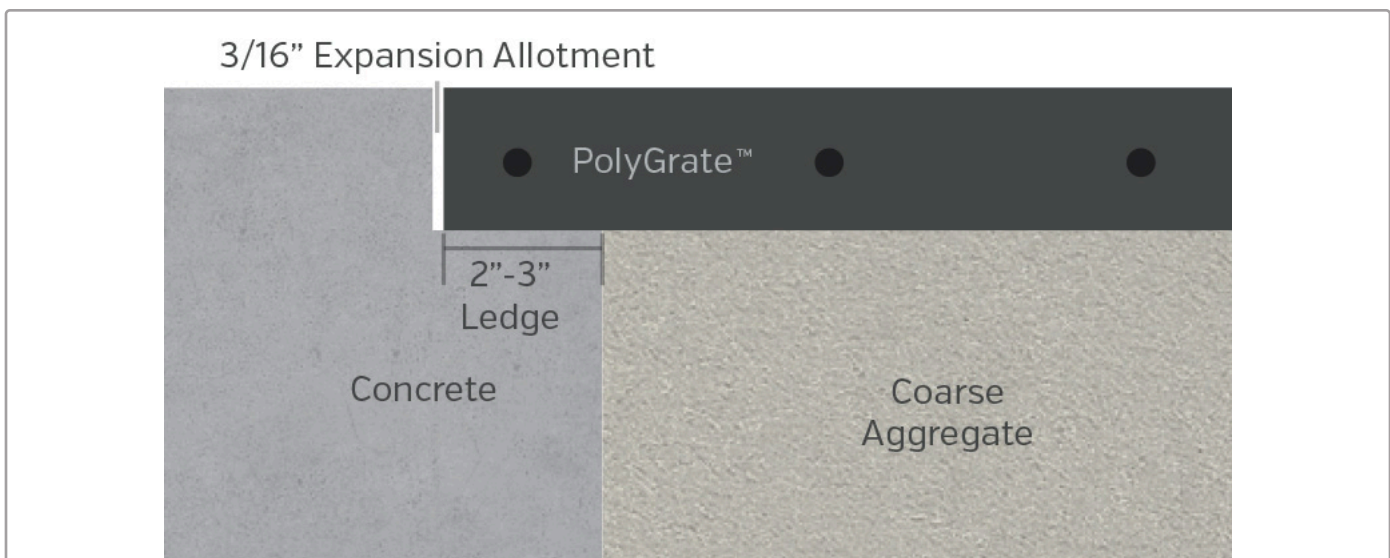


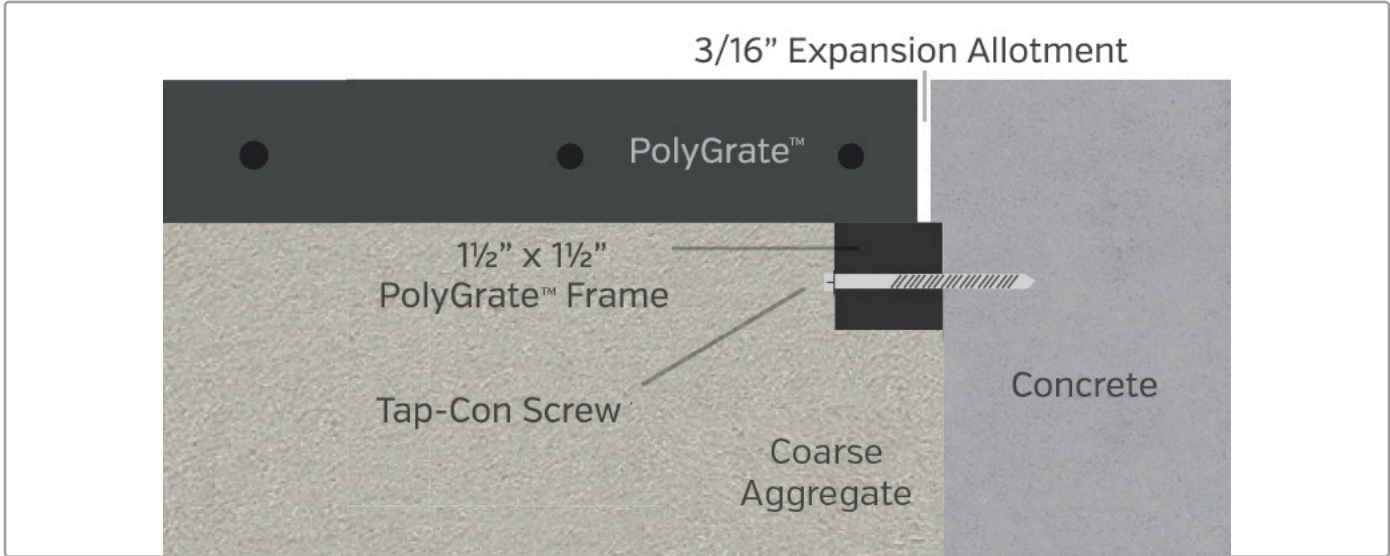
Product Overview

PolyGrate™ Recycled Plastic Tree Grates are the most affordable, easiest to install and maintenance-free pedestrian sidewalk tree grate solution on the market today. They have been specified for thousands of new and retrofit projects of all sizes and types by city planners, municipalities, landscape architects, contractors, civil engineers and commercial real estate developers.



Installation with Concrete Surround

New Installation: Concrete ledge shall be cast in size and configuration of specified tree grate model plus 3/8" expansion allotment. Ledge shall be 2 inches below concrete or tiled surface and extend inward 2 to 3 inches. Ledge must be level and free of bulges and slag.



Installation with PolyGrate™ Frame

Retro-Fit Installation: The PolyGrate Frame accessories will come complete with [4] 1 1/2" square pre-drilled plastic frames [42" length for use with 48" PolyGrate™, or 54" length for use with 60" PolyGrate™]. Sidewalk preparation should allow 3/8" additional length per side to provide for grate expansion. Attach PolyGrate Frame to sides of poured surface with Tap-Con screws [provided] or other approved concrete fastener. The PolyGrate Frame support ledge should be placed 2" below the surface of the concrete.

Product and Material Test Data

Resin Properties	ASTM Test	Units	Typical Values
Density	D-1505	g/cc	957
Melt Index	D-1238	g/10 min	7

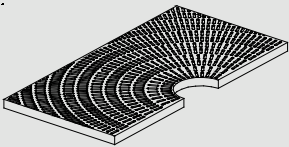
Molded Properties	ASTM Test	Units	Typical Values
Modulus	D-638	psi	166000
Tensile at Yield	D-638	psi	430
Elongation at Break	D-638	%	1400
Flexural Modulus	D-790	psi	194000



assembly instructions

5' x 5' TREE GRATE · TSB55

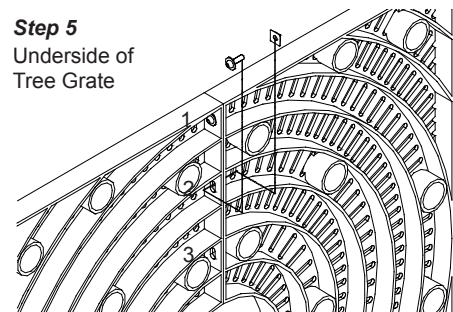
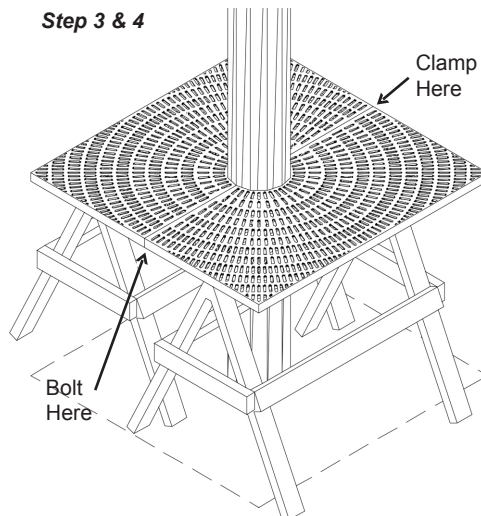
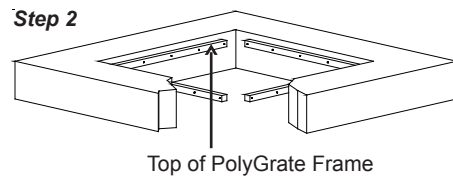
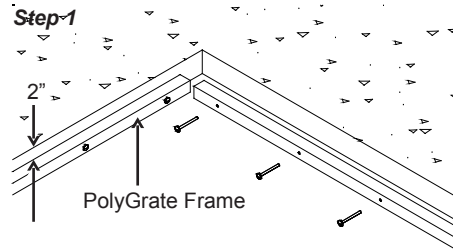
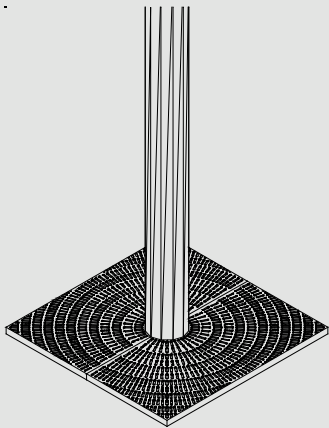
COMPONENTS



- (2) 60" x 30" Tree Grate Panels
- (6) Bolts
- (6) Washers
- (6) Tamper-resistant Nuts
- (4) PolyGrate Frame*
- 1-1/2" x 1-1/2" Support
- (20) PolyGrate Frame Bolts

*PolyGrate Frame is Optional

FULLY ASSEMBLED



STEP 1 (PolyGrate Frame is Optional)

PolyGrate Frame Installation

To install PolyGrate Frame, bolt each 1-1/2" x 1-1/2" plastic support 2" from the top of sidewalk where tree grate will be placed.

STEP 2

Coarse Aggregate

After planting tree, fill pit with coarse aggregate until it is even with top of PolyGrate

STEP 3

Set-Up

To aid in suspending the tree grate, place (2) 5' x 5' half tree grate panels on two saw horses with centers going around the tree. (Other methods of suspension may be used as an alternative.)

STEP 4

Begin Bolting

Using the allen wrench provided, bolt half of the tree grate together starting from the outside edge and continuing toward the tree using three of the bolts from the bolt kit. Make sure all edges are lined up as the bolts are tightened.

STEP 5

Finish Bolting

Place a clamp or vise-grip on the outside edge of the tree grate opposite the end that was bolted in Step 4. Start bolting the second half of the tree grate starting from the outside edge and continuing toward the tree using the remaining bolts from the bolt kit. Make sure all edges are lined up as bolts are tightened.

5' x 5' Square Tree Grate

TSB55

*Detailed drawing is half grate

